



AUTOMOTIVE

Werther WX60,
**increase
your capacity**



Electrohydraulic
lift with capacity
6,000 Kg

**ELECTROHYDRAULIC
LIFT**

WX60

The WX60 electrohydraulic lift is the first in the Werther range with the innovative "toggle" lifting system.

This technology ensures generous working space and ample clearances underneath the vehicle.

The runways ensure an ideal working height 1.8 m inground version too.

The length of 6 metres and capacity of 6 tonnes (an impressive 500 kg more than the optimal standard required by vehicle manufacturers) make it ideal for wheel alignment on both small cars and larger vehicles, up to long wheelbase models.



Ample clearances:
the compact toggle lifting system minimises structural obstacles to give the user unrivalled freedom of movement and a massive working height of 1.9 m.

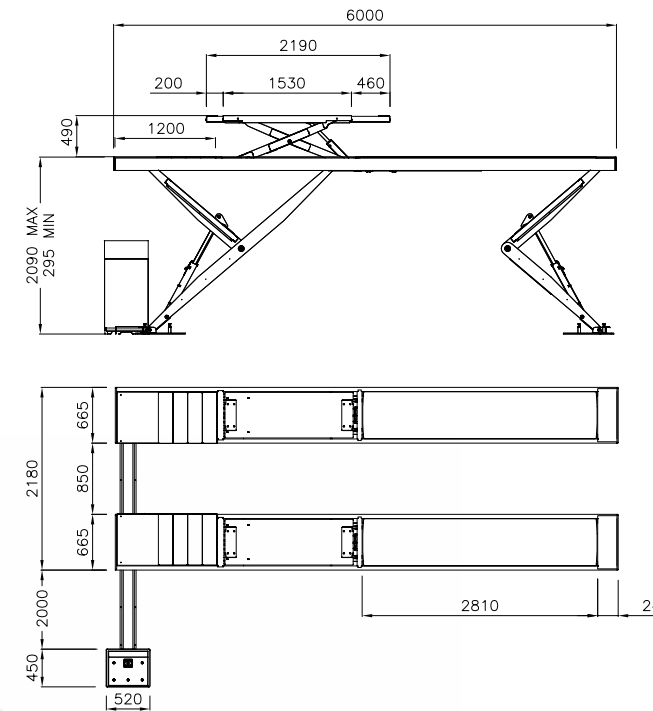
Special support:
This extra support guarantees perfect levelling during wheel alignment, for any type of vehicle.



**TECHNICAL
DATA**



Mechanical locking system:
installed between the pairs of cylinders, one for each lever, it ensures levelling each time the lever is engaged.

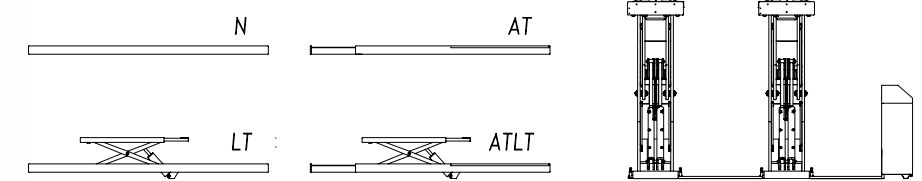


WX60 electrohydraulic lift

Capacity	6,000 kg
Weight	2,400 - 3,200 kg
Lifting	45/45 s
Lifting height	2,090 mm
Min. height	295 mm
Motor	4 kw - 230-400V/50 Hz
Pneumatic feed	4 - 8 bar

LT

Lenght	2,190 mm
Lifting height	490 mm
Capacity	3.500 kg



Optionals

Hydraulic jacking beam: with clamps L1447=8W part no. 496/3M with clamps L1448=8W part no. 496/3P	Illumination kit part no. L1437	Above ground drive-on/drive-off ramps part no. L 90001	Below ground drive-on/drive-off ramps part no. L13681

The manufacturer reserves the right to change/update product technical and dimensional data even without notice.



Via F. Brunelleschi, 12 - 42124 Cadè (Reggio Emilia) Italy

Tel. +39 0522 9431 +39 346 98 37 325 +39 98 37 443

Fax + 39 0522 941997 • E-mail: sales@wertherint.com

wertherint.com